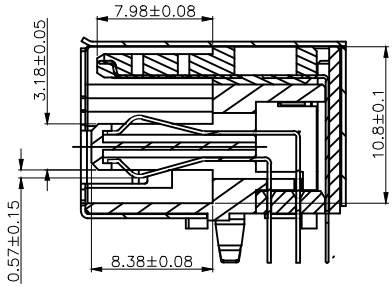
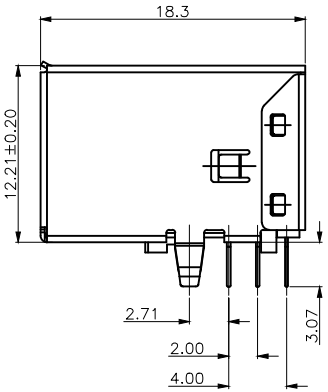
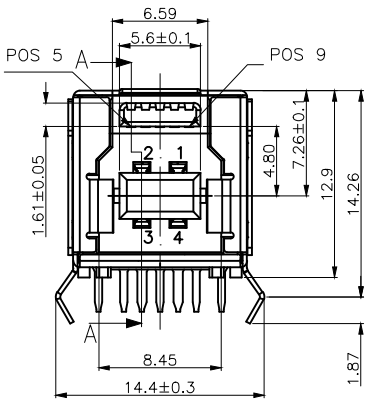
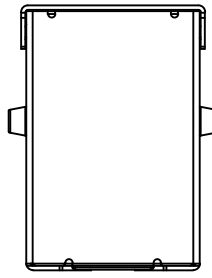


### SPECIFICATIONS

**Current Rating:** 3 Amps  
**Insulator Resistance:** 100 Megohms Min  
**Contact Resistance:** 50 Megohms Max  
**Dielectric withstanding:** 100V AC  
**Operating Temperature:** -55°C~+105°C  
**Housing Material:** Standard LCP  
**Contacts:** Bronze  
**Housing:** High Temp Plastic  
**Wave Soldering Temperature:**  
**Lead Part:** 220°C,5Sec  
**RoHS Part:** 260°C,5Sec

NO.	PART NAME	MATERIAL	STATUS
①	HOUSING	CODE	CODE
②	TERMINAL	COPPER T=0.2	Au/Sn-Plating
③	SHELL	BRASS T=0.3	Ni-Plating



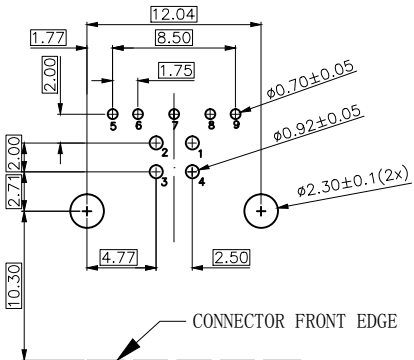
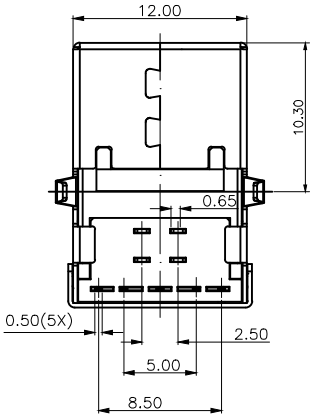
SECTION A-A

BPB XX 3 0 20 FG  
1 2 3 4 5 6

- 1. SERIES NO.  
BPB=USB 3.0 B
- 2. Plated:  
VB=Selective Gold Flash  
VF=Selective Gold Flash 15u"
- 3. Color:  
3=Blue
- 4. Package:  
0=Tray
- 5. ECN Code:  
20
- 6. Green Option:  
FG=RoHS Compliant

Pin NUMBER	SIGNAL NAME
1	VBUS
2	D-
3	D+
4	GND
5	StdB_SSTX-
6	StdB_SSTX+
7	GND_DRAIN
8	StdB_SSRX-
9	StdB_SSRX+
Shell Shield	

APTOS Technology CONFIDENTIAL  
This document, and all information it contains, are the confidential, proprietary property of APTOS Technology. Disclosure, duplication or distribution of this document, or any information it contains, in whole or part, without prior written permission from APTOS Technology is strictly prohibited



TOP VIEW  
PCB LAYOUT RECOMMENDED

GENERAL TOLERANCE UNLESS OTHERWISE SPECIFIED	
XXX. ± X	.XX ± 0.10
XX. ± X	.XXX ± X
X. ± 0.50	X.' ± 1"
.X ± 0.30	.X' ± X"



REV. A	DRAWN	09/15/09	BPB Series
DATE 09/15/09	CHECKED		USB 3.0 B Type Female DIP
SCALE As shown	APPROVED		PRODUCT NO. BPB-XX3020-FG LF APD
UNIT mm		SIZE A4	FILE NAME: BPB-XX3020-FG LF APD.dwg